

Best-Selling External Rotor Brushless Motor - HYBRID STEPPER MOTOR-Nema14HS - Longs Motor

SERIES HYBRID STEPPING MOTOR

Step Angle Accuracy.....±5%

Temperature Rise.....80°C Max

Ambient temperature Range.....-20°C—+50°C

Insulation Resistance.....100MΩMin.500V DC

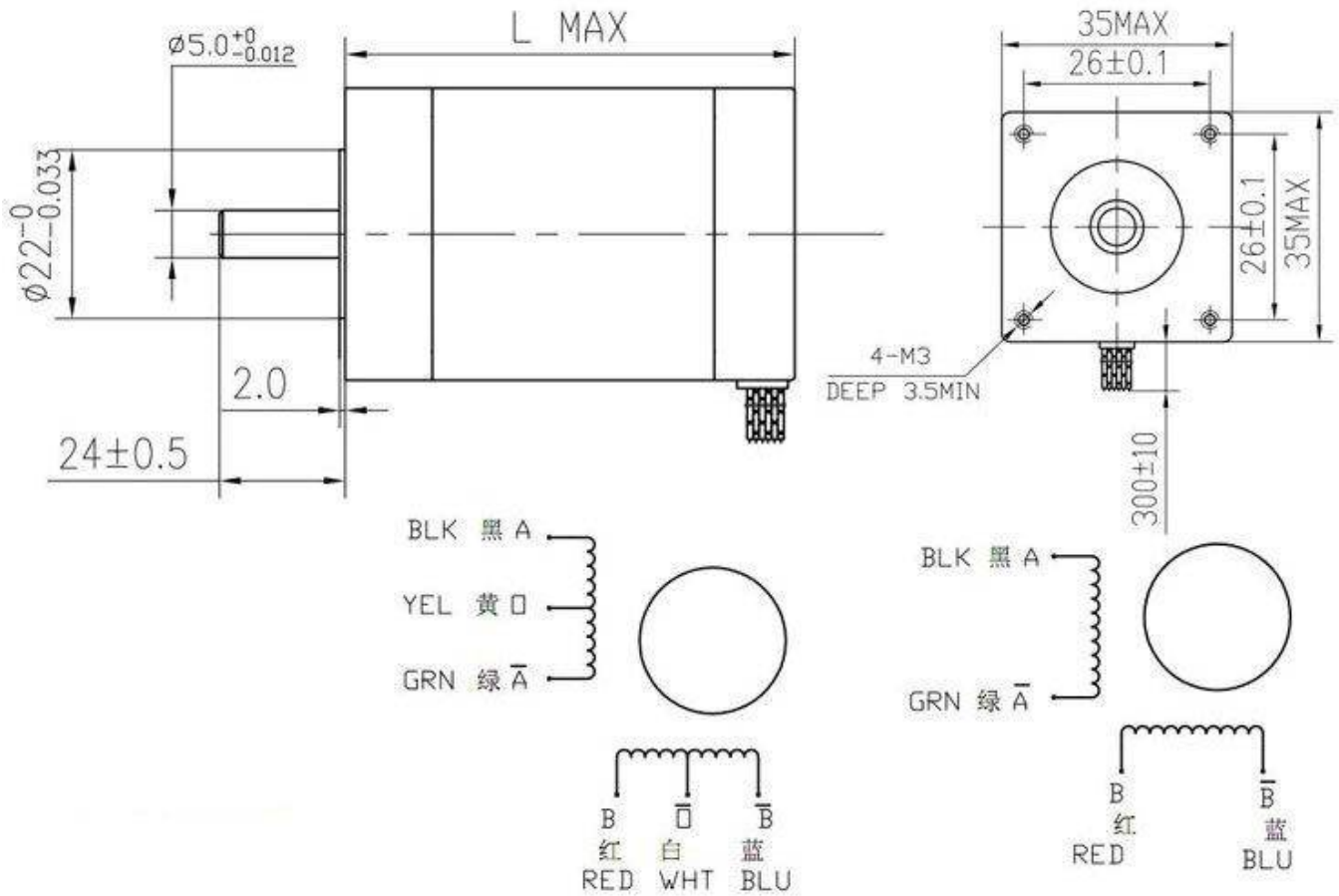
Dielectric Strength.....500V AC 1 minute

Electrical Specifications

Series Mode	Step Angle°	Motor Length mm	Rated voltage v	Rated Current A	Phase Resistance Ω	Phase Inductance Mh	Holding Torque(MIN) N.cm	Detent Toruue(MA X) N.cm	Rotor Torque g.cm2	Lead Wire
14HS1404	1.8	20	10.8	0.4	27	17	6.5	0.5	8	4
14HS1604	1.8	20	11.3	0.45	25	9	5	0.5	8	6
14HS1407	1.8	20	6.57	0.73	9	4	6	0.5	8	4
14HS2604	1.8	28	12	0.4	30	11	9	0.8	11	6
14HS2405	1.8	28	10	0.5	20	14	10	0.8	11	4
14HS2406	1.8	28	4	0.8	5	5	12	0.8	11	4
14HS3604	1.8	33	12	0.4	30	22	12	1	13	6
14HS3605	1.8	33	11	0.5	22	12	10	1	13	6
14HS3408	1.8	33	5.2	0.8	6.5	9.8	18	1	13	4

*We can manufacture products according to customer's requirement.

Mechanical Dimensions



Product link : <https://www.longs-motor.com/?p=6592>